

Steel and Mounts



Accessories



Grounding

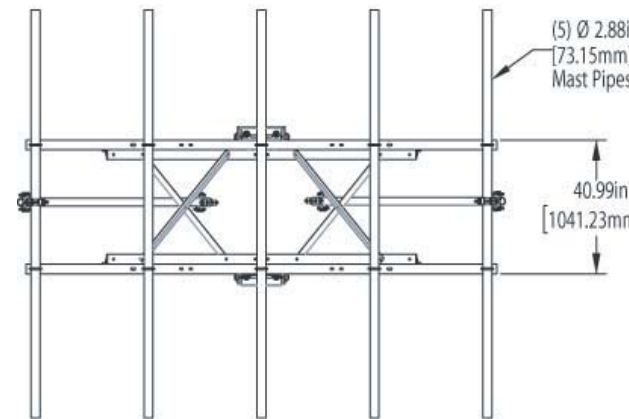
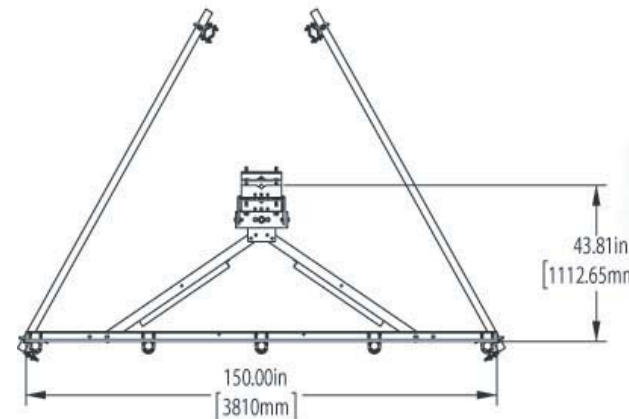


Safety

# T1672KT12 AT&T WLL

## Sector Frame 12' Face, (5) 2-7/8" Mast Pipes

Mount Pipes Per Sector (5)	Bare Conditions		Iced Conditions (1.0 Thickness)	
	120 mph Wind Speed	50 mph Wind Speed	90 mph Wind Speed	60 mph Wind Speed
(EPA)N (ft <sup>2</sup> ) capacity	87.5	-----	-----	24.0
(EPA)T (ft <sup>2</sup> ) capacity	87.5	-----	-----	24.0
Factored Weight (lbs)	2,652	-----	-----	1,060

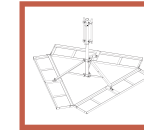


**Maximum load supported at the following site critia:  
(Front load of 54.22 Ft<sup>2</sup> and side load of 35.58 Ft<sup>2</sup>)**

V = 130 mph  
z = 250 ft  
H = 500 ft max (SST or GT)  
Exposure C  
Structure class II  
Topo Category I  
ti 1/2" with Vi = 40 mph  
Wind direction Probability Factor:  
•0.85 (Latticed Structures)  
•0.95 (Tubular Pole Structures)  
Gust Wind Effect Factor:  
•1.1 (Pole Structures)  
ANSI/TIA-222-G-2-2009  
This is for Addendum 2 from December 2009

### Example Load Scenario

Sector 1	qty (sector)	Front CaAa (Ft <sup>2</sup> )	Side CaAa (Ft <sup>2</sup> )
Antenna	1	17.17	6.68
Antenna	2	11.47	9.91
Antenna	1	5.65	4.72
Diplexer/TMA	2	0.45	0.14
RRU-11	3	2.52	1.36
		54.22	35.58



Steel and Mounts



Accessories



Grounding



Safety

T1672KT12  
AT&T WLL

Sector Frame  
12' Face, (5) 2-7/8" Mast Pipes

Packaging						Antenna Pipes	
Part Number	Description	L	W	H	WT	Size	Length
		----	----	----	----		
		----	----	----	----		